

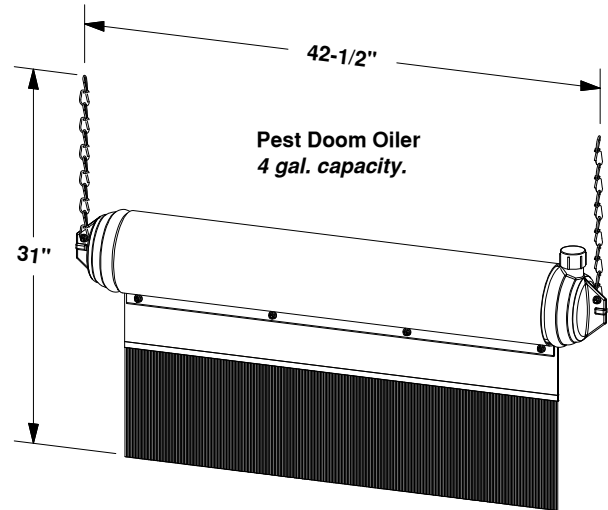
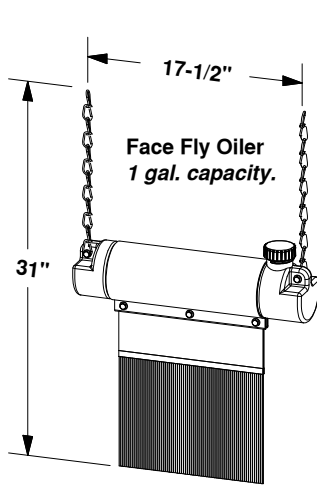


B&W Trailer Hitches
1216 Hawaii Rd / PO Box 186
Humboldt, KS 66748
P:800.248.6564
F:620.869.9031

Pest Doom Oiler & Face Fly Oiler Instructions

Call or Email us for Installation Support hitches@turnoverball.com bwtrailerhitches.com

Model PT20010 (Pest Doom Oiler)
PT20030 (Face Fly Oiler)



INSTRUCTIONS

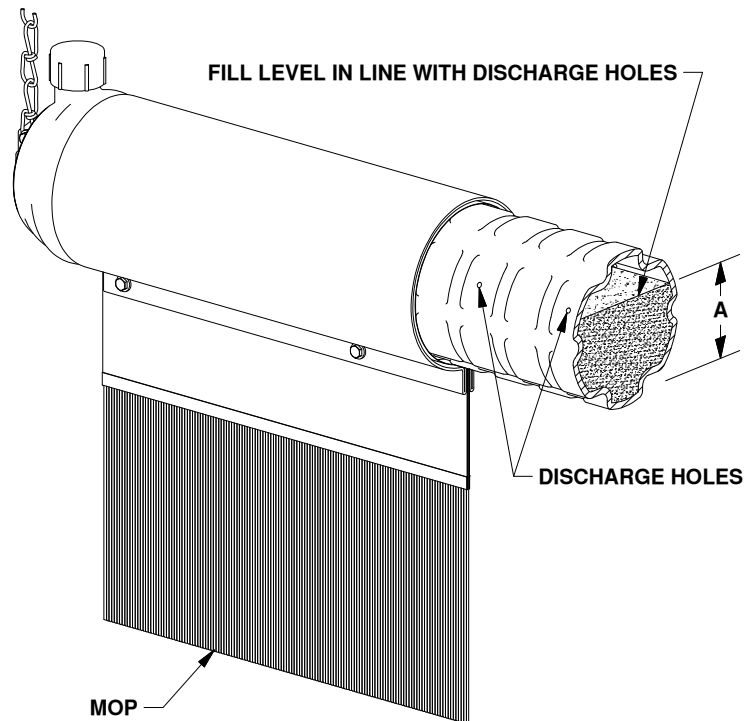
- 1. Mounting height.** The oiler must be mounted so it's level and so that the unit will tip as livestock pass below it. The amount of rotation the oiler experiences will directly affect how much fluid is poured into the mop. Set height accordingly.
- 2. Fill and discharge.** The Face Fly Oiler and Pest Doom Oiler are both designed so fluid will continually pour into the mop until the fluid level is under a set of discharge holes in the fluid container. Once the fluid level is below the discharge holes the fluid will only pour into the mop when the oiler is tipped or agitated. This action allows the mop to saturate with fluid before use. Fluid may drip from the mop while the fluid level is above the discharge holes. See the cutaway view on the right.

Fluid depth below discharge holes. (dimension "A")

Face Fly Oiler: 3-1/4"

Pest Doom Oiler: 3-7/8"

NOTICE: Mix insecticide to manufacturer's recommended ratio.



CUTAWAY VIEW OF PEST DOOM OILER.